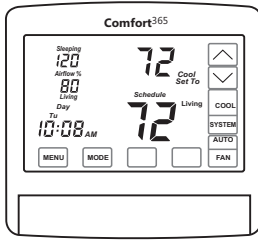
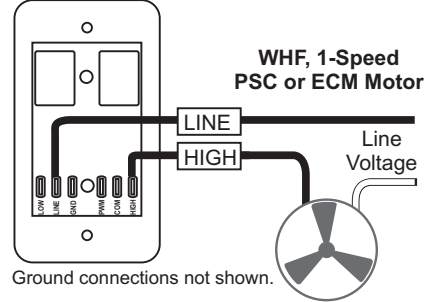


HVAC Equipment	Wiring Hub Solution	Wired Solution	Airflow Control	Fresh Air Control	ERV/HRV Control	Whole House Fan Control	Economizer Control	Humidity Control	WiFi Option
GE, HP or DFHP 3H/2C	●		●			●			

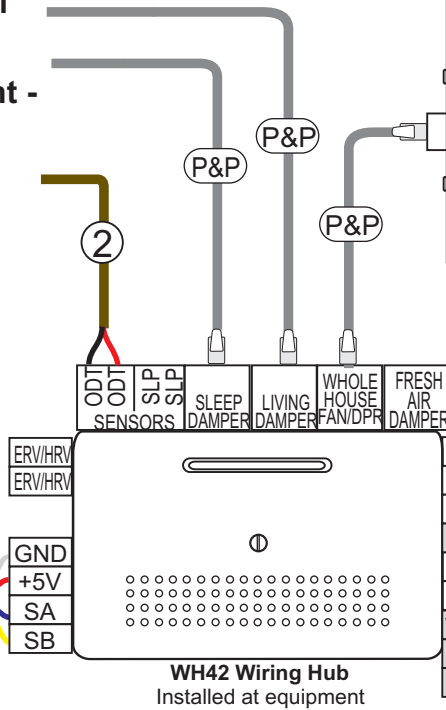
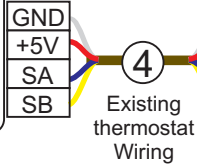
**For Wiring Airflow Control Components, See Submittal / Wiring Document - AOR, Airflow Control, C365C42 and WH42**

### FC2J Relay Board

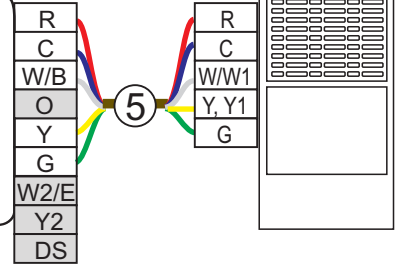
Installed in box on the WHF



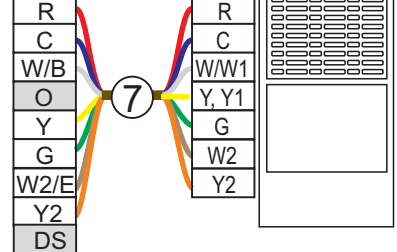
**C365C42 Thermostat**  
Installed in the Downstairs Living Area



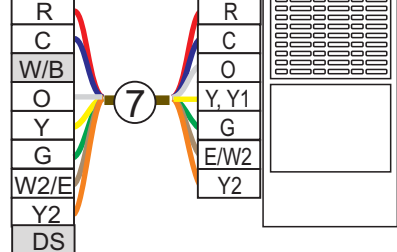
### GE 1H/1C Equipment



### GE 2H/2C Equipment



### HP 3H/2C Equipment



- Plug&Play cable. Cable included with damper
- Number of wires. 18 or 20 GA Thermostat Wire

### Installation

Model #	Description	Quantity
C365C42	Comfort365 Communicating Thermostat.	1
WH42	Wiring Hub	1
For Airflow Control Dampers and Sensors, See Submittal / Wiring Document - AOR, Airflow Control, C365C42 and WH42		
FC2J	Relay Board, Plug&Play Connection.	1
TS3	Required for DFHP.	

### Project Information

Date:	Job Name:	PO #:
Location:	Architect:	
Engineer:	Contractor:	
Buyer:	Notes:	